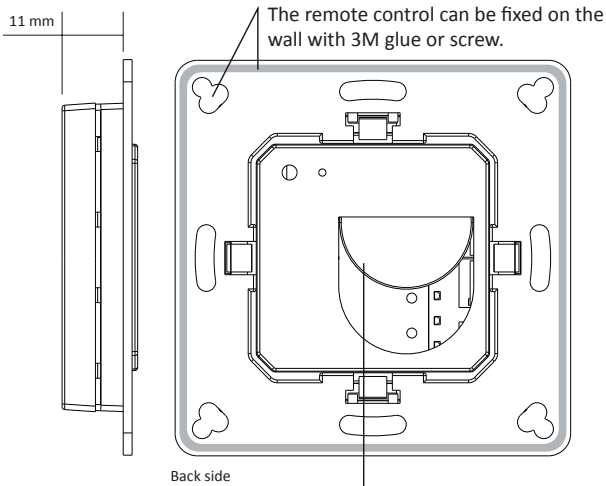


ZIM Z-WAVE WALLSWITCH 1CH

220-240VAC 50/60Hz IP20

FUNCTION INTRODUCTION

IMPORTANT: Read all the instructions prior to installation

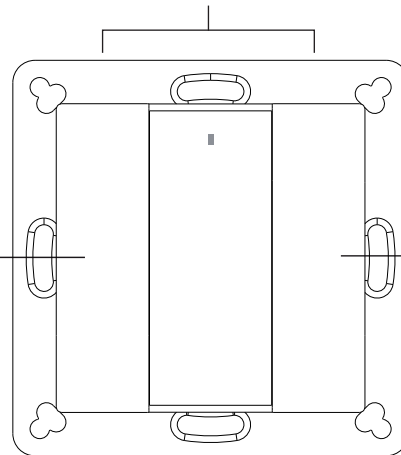


Back side

Battery: CR2430
Before first use, please open the battery cover and remove the protective film.

Press and hold down both keys together for 3s to be added to or removed from z-wave network by z-wave master (primary) controller.

Group 2
Click to turn on.
Press and hold down to increase light intensity.



Front side

Group 2
Click to turn off.
Press and hold down to increase light intensity.

SAFETY AND WARNINGS

- This device contains a button lithium battery that shall be stored and disposed properly.
- DO NOT expose the device to moisture.

PRODUCT DATA

Output	Z-Wave signal
Operation Frequency	868/908/921MHz
Power supply	3V (1xCR2430 battery)
Operating temperature	0-40°C
Relative humidity	8% to 80%
Measurements	71.2 x 71.2 x 13.6 mm

- Wall mounted Z-wave remote
- Z-wave slave
- Z-wave mesh network
- Compatible with all universal Z-wave master controllers
- Compatible with Z-Wave receivers
- Controls 1 group (light zone) with associated nodes.

INSTALLATION

- The wall controller is a secondary controller that does not support Z-Wave network administrator feature and will always need a Master (Primary) Z-Wave network controller to be added into a Z-Wave network.
- The wall mounted controller is Z-Wave Plus enabled, on-wall mountable wireless controller that is able to control associated receiver devices. This device can control 1 Group (Light Zone) with associated nodes.

MANUFACTURER SPECIFIC REPORT

Parameter	Manufacturer ID 1	Manufacturer ID 2	Product Type ID 1	Product Type ID 2	Product ID 1	Product ID 2
Value (hex)	0x00	0x00	0x00	0x03	0xa3	0x01-0x0e

TECHNICAL DATA

SDK	6_61_00
Radio protocol	Z-Wave Plus
Explorer Frame Support	NO
Basic Device Class	BASIC_TYPE_ROUTING_SLAVE
Generic Device Class	GENERIC_TYPE_GENERIC_CONTROLLER
Specific Device Class	SPECIFIC_TYPE_PORTABLE_REMOTE_CONTROLLER

Z-WAVE PLUS INFO REPORT

Parameter	Value
Z-Wave Plus Version	1
Role Type	4 (ZWAVEPLUS_INFO_REPORT_ROLE_TYPE_SLAVE_PORTABLE)
Node Type	0 (ZWAVEPLUS_INFO_REPORT_NODE_TYPE_ZWAVEPLUS_NODE)
Installer Icon Type	0x0B00 (ICON_TYPE_GENERIC_REMOTE_CONTROL_SIMPLE)
User Icon Type	0x0B00 (ICON_TYPE_GENERIC_REMOTE_CONTROL_SIMPLE)

ASSOCIATION COMMAND CLASS

Association Group	Group Names	Nodes	Send Mode	Send commands
Group 1	Lifeline	(1)	Single Cast	DEVICE_RESET_LOCALLY_NOTIFICATION, BATTERY_REPORT
Group 2	Launch 1	(1.20)	Multicast	The Basic Set, Switch Multilevel Start Level Change, Switch Multilevel Stop Level Change

3. Added to Z-wave Network

1. Please make sure the battery for the wall mounted controller has enough power (press any key and if the blue LED indicator turns on, the remote works well)
2. Set the master controller or gateway into network inclusion or add a device mode (please refer to the user manual to learn how).
3. Press and hold down both keys ON and OFF at the top row (group 2) simultaneously on the wall controller until LED indicator turns on and flashes 6 times quickly to indicate successful adding.

There will also be an indication on the master controller or gateway.

4. Group for Associations

The Wall Controller supports 2 Groups for associations:

Group 1: Lifeline (Used for reporting devices' state to the Master Controller if any changes happen). This group supports one node, which default association to the Master Controller node.

Group 2: Each remote supports one or multiple groups for association. Each group supports maximum 20 controllable devices for association. The same device can be associated with multiple remotes simultaneously, and can be associated with multiple groups on the same remote simultaneously.

Once the remote and controllable devices are added to the network, choose from your gateway or hub interface to associate the device with the remote. (Please refer to their user manual to learn how).

5. All COMMAND CLASS the wall controller supports are as follows:

COMMAND_CLASS_ZWAVEPLUS_INFO
COMMAND_CLASS_ASSOCIATION
COMMAND_CLASS_ASSOCIATION_GRP_INFO
COMMAND_CLASS_VERSION
COMMAND_CLASS_MANUFACTURER_SPECIFIC
COMMAND_CLASS_CONFIGURATION
COMMAND_CLASS_DEVICE_RESET_LOCALLY
COMMAND_CLASS_POWERLEVEL
COMMAND_CLASS_BATTERY
COMMAND_CLASS_WAKE_UP
COMMAND_CLASS_FIRMWARE_UPDATE_MD_V2
COMMAND_CLASS_MARK
COMMAND_CLASS_SWITCH_BINARY_V2
COMMAND_CLASS_SWITCH_MULTILEVEL_V4

6. The remote has battery powered monitor function, and reports battery power value to the gateway automatically:

- The remote will report battery power value of a newly installed battery to the gateway.
- The remote will wake up every 4 hours to check battery power by factory default, and will report battery power value to the gateway under 2 situations:
 - a. When the battery power value is different from last time.
 - b. When the battery power value is low.

7. Control the devices associated with this controller

• How to control the controllable devices:

Configure the remote via gateway with CC "COMMAND_CLASS_ASSOCIATION" or "COMMAND_CLASS_MULTI_CHANNEL_ASSOCIATION" to associate the controllable devices with the remote.

• How to undo the control to controllable devices:

Configure the remote via gateway with CC "COMMAND_CLASS_ASSOCIATION" or "COMMAND_CLASS_MULTI_CHANNEL_ASSOCIATION" to disassociate the controllable device with the remote.

Note: All configuration parameters for association will be removed automatically after the remote is removed from the network.

8. Removed from Z-wave network

1. Set the installed Z-wave master (primary) controller or gateway into network exclusion, or remove device mode (please refer to the user manual to learn how)
 2. Press and hold down both keys ON and OFF at the top row (group 2) simultaneously on the wall controller until LED indicator turns on and shows 3 short blinks and 1 long blink to indicate successful removing.
- There will be an indication on the master controller or gateway.

9. Reset to factory default setting

Click both ON and OFF buttons at the top row (group 2) simultaneously for 4 seconds. The indicator will show 3 short blinks and 1 long blink to indicate successful resetting.

Note: Resetting the device is not recommended and only execute it in the event that your primary Controller is lost or otherwise inoperable. A reset of the device will clear all network information.

Note: By factory default setting, the Z-wave controller has not been added to Z-wave network

MOUNTING

The key part of this controller is a universal, extremely rotary standard switch element, that can be integrated in numerous frames by different manufactures as listed:

BEKER	S1, B1, B3, B7 glass
GIRA	Standard 55, E2, Event, Esprit
JUNG	A500, Aplus
MERTEN	M-Smart, M-Arc, M-Plan